

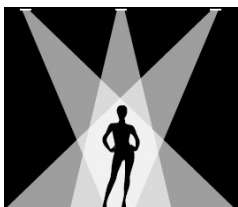
GIRO CIRCULAR is a recessed adjustable luminaire delivering flexible, efficient and precise LED lighting. The GIRO can be used to create stunning environments. With adjustment tilt angles of up to 45° the GIRO is a flexible lighting tool allowing for the illumination of high vertical surfaces and objects. A wide choice of interchangeable optics can be changed or cleaned within seconds.

Applications:

- Retail
- Restaurant
- Architectural
- Commercial
- Exhibition

Accessories: See accessories on page 2

- Sparkle Ring
- Interchangeable reflectors
- Protective glass (food applications)



Accent lighting allows objects to be selectively highlighted using narrow beams of light

Technical features:

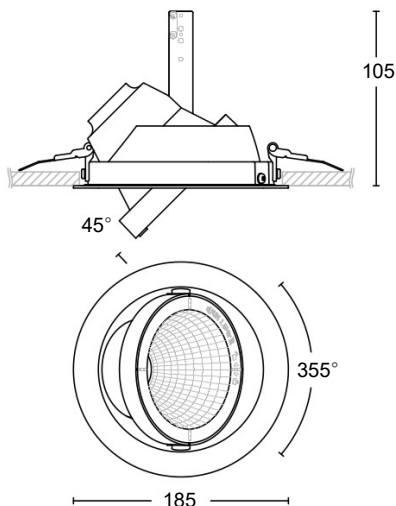
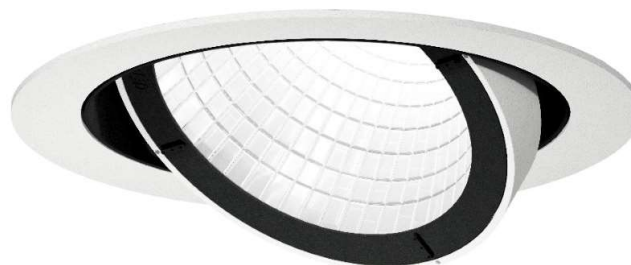
- 95% Reflector efficiency
- Light Output Ratio 86%
- Power Factor min 0.96
- Up to 142 lumens per watt
- Die-cast Aluminium. PPC coated
- L80B10
- Up to 97 CRI available
- 3 SDCM as standard 2 SDCM available

Lumen Maintenance Projection:

TM-21: 10k = 97.67%

L90: 55k = 90.98%

Both TM21 and L90 reports are available on request.



Cut out Ø 170 mm
Weight 1.0 – 1.5kg
All dimensions in mm

Part number examples

Part Number	Description
GIRGCB8V3800N830W	GIRO:GIMBAL CIRC:3800LM:B8V NAR-BEAM:3K80CRI:WHITE
GIRGCB8V4400M830W	GIRO:GIMBAL CIRC:4400LM:B8V MED-BEAM:3K80CRI:WHITE

Part number nomenclature:

GIR = GIRO Family

GC = Gimbal Circular

B8V = Bridgelux LED COB Technology

0000 = supplied without driver

2300 = Lumen output**

3100 = Lumen output**

3800 = Lumen output**

4400 = Lumen output**

4800 = Lumen output**

N = Narrow beam 10-20 degree

M = Medium beam 20-30 degree

W = Wide beam 30-50 degree

XW = Extra Wide beam >50 degree

8 = >80CRI

27 = 2700K

30 = 3000K

35 = 3500K

40 = 4000K

W = RAL9010 Pure White*

G = RAL9006 Grey Silver*

B = RAL9005 Jet Black*

- Dimming type suffix

D1 = Dimmable Phase

D2 = Dimmable 1-10V

D3 = Dimmable DALI

*Other finishes available to special order.

**Average across colours

Refer to table on page 2 for exact lumen output.

All lumens are exit lumens, other options available to special orders.

SPECIFICATIONS

Accessory Part numbers:

Part No.	Description
5080-15	REFLECTOR:GIRO-COB:108:15 DEGREE:1090AL
5080-28	REFLECTOR:GIRO-COB:108:28 DEGREE:1090AL
5080-40	REFLECTOR:GIRO-COB:108:40 DEGREE:1090AL
5080-60	REFLECTOR:GIRO-COB:108:60 DEGREE:1090AL
1295W	RING:SPARKLE:GIRO:1295:WHITE

Refer to table below for exact lumen output (all lumens are exit lumens).
Other finishes available to special order.

Lumen output:

CRI CCT	Luminaire output Lumens and (Efficiency in Luminaire Lumen Per Watts) at typical drive current (mA) and forward voltage (V) DC									
	500mA 27V		700mA 28V		900mA 29V		1050mA 29V		1185mA 29V	
	LED watts	Total watts	LED watts	Total watts	LED watts	Total watts	LED watts	Total watts	LED watts	Total watts
	13.7	15.7	19.5	22.5	25.0	28.0	30.1	34.0	34.2	39.0
827	2126 (135)		2936 (130)		3531 (126)		4126 (121)		4536 (116)	
830	2259 (144)		3119 (139)		3752 (134)		4384 (129)		4819 (124)	
835	2312 (147)		3193 (142)		3840 (137)		4487 (132)		4933 (126)	
840	2325 (148)		3211 (143)		3863 (138)		4514 (133)		4961 (127)	
	2300 Typical		3100 Typical		3800 Typical		4400 Typical		4800 Typical	

Polar curves of reflector options

