

FREDA SPOTLIGHT T3I is an adjustable spotlight luminaire delivering flexible, efficient, and precise LED lighting. The FREDA can be used to create stunning environments. With adjustment tilt angles of up to 90° the FREDA is a flexible lighting tool allowing for the illumination of high vertical surfaces and objects. A choice of interchangeable optics can be changed or cleaned within seconds.

Applications:

- Retail
- Restaurant
- Architectural
- Commercial
- Exhibition

Accessories:

- Interchangeable reflectors



Accent lighting allows objects to be selectively highlighted using narrow beams of light.

Technical features:

- 95% Reflector efficiency
- Light Output Ratio 90%
- Power Factor min 0.90
- Up to 136 lumens per watt
- Die-cast Aluminium. PPC coated
- L80B10
- Up to 98 CRI available (special order only)

Lumen Maintenance Projection :

TM-21 : 10k = 97.67%

L90: 55k = 90.98%

Both TM21 and L90 reports are available on request.



Part number examples

Part Number	Description
FRST3IB3V1500N930W	FREDA:SPOT:T3I: B3V: 1500LM: NAR-BEAM:3K80CRI: WHITE
FRST3IB3V3000M930B	FREDA: SPOT: T3I:B3V:3000LM: MED-BEAM:3K90CRI: BLACK

Part number nomenclature:

FR = FREDA Family

S = Spotlight

T3I = Track 3CKT Integral Global

B3V = LED Technology

0000 = supplied without driver

1500 = Lumen output**

2000 = Lumen output**

2500 = Lumen output**

3000 = Lumen output**

3500 = Lumen output**

N = Narrow beam 10-20 degree

M = Medium beam 20-30 degree

W = Wide beam 30-50 degree

XW = Extra Wide beam 50+ Degree

8 = >80CRI

9 = >90CRI

27 = 2700K

30 = 3000K

35 = 3500K

40 = 4000K

W = RAL9010 Pure White*

G = RAL9006 Grey Silver*

B = RAL9005 Jet Black*

D1 = Dimmable Phase

D2 = Dimmable 1-10V

D3 = Dimmable DALI

*Other finishes available to special order.

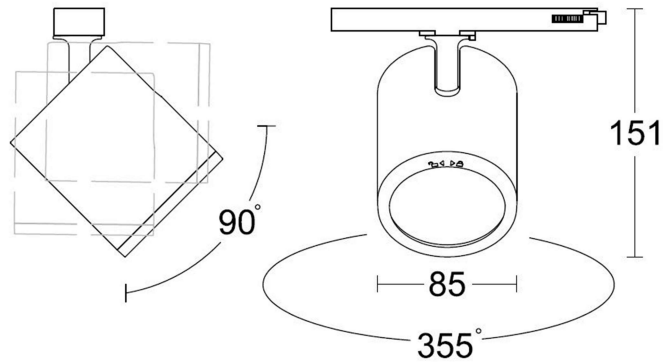
**Based on 830

Refer to table on page 2 for exact lumen output.

All lumens are exit lumens, other options.

available to special orders.

Technical Information



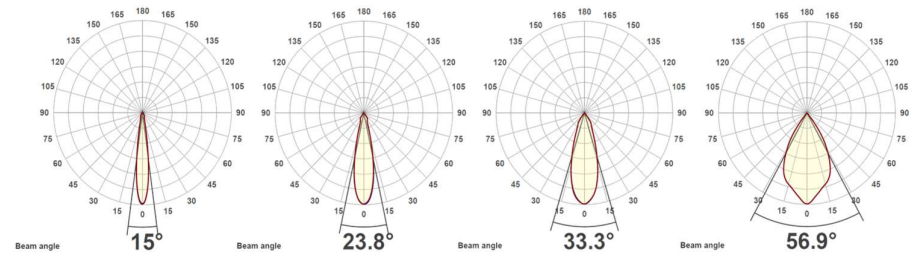
Weight: 0.6kg MAX
All dimensions in mm

Refer to table below for exact lumen output (all lumens are exit lumens).
Other finishes available to special order.

Lumen output:

CRI CCT	Luminaire output Lumens and (Efficiency in Luminaire Lumen Per Watts) at typical drive current (mA) and forward voltage (V) DC									
	350mA 31V		500mA 31.7V		600mA 32.1V		700mA 32.5V		850mA 33.1V	
	LED watts	Total watts	LED watts	Total watts	LED watts	Total watts	LED watts	Total watts	LED watts	Total watts
	10.8	12.9	15.8	18.3	19.3	22.2	22.8	26.2	28.1	32.3
827	1598 (124)		2146 (117)		2548 (115)		2900 (111)		3238 (100)	
927	1318 (102)		1770 (97)		2102 (95)		2392 (91)		2671 (83)	
830	1698 (132)		2280 (125)		2707 (122)		3081 (118)		3440 (107)	
835	1738 (135)		2334 (128)		2771 (125)		3154 (120)		3522 (109)	
930	1378 (107)		1851 (101)		2197 (99)		2501 (95)		2793 (86)	
840	1748 (136)		2347 (128)		2787 (126)		3172 (121)		3542 (110)	
Lumen Class	1500		2000		2500		3000		3500	

Polar curves of reflector options



Narrow

Medium

Wide

Extra Wide